

# UTV MOUNT INSTALLATION - PRO-FIT MOUNT

**NOTE:** WORKS WITH ALL GPS BRANDS USING STANDARDIZED 5/8 INCH STUD MOUNT.

## STEP 1

IDENTIFY ALL THE COMPONENTS BY REFERRING TO THE CHART TO THE RIGHT -->

## STEP 2

REMOVE THE BOLT AND LOCK WASHER FROM THE LONG AND SHORT ARM MOUNTS (A) AND ALSO REMOVE THE BOLTS FROM THE CAGE CLAMPS (B).

## STEP 3 - INSTALLING THE DATA COLLECTOR MOUNT

NOTICE THE MULTIPLE PIN HOLES IN ONE CAGE CLAMP (FIGURE 1). ALIGNING THE PIN (C) WITH ONE OF THESE HOLES WILL HOLD IT IN A FIXED POSITION. YOU CAN TEMPORARILY ASSEMBLE (FIGURE 2) AND HOLD THE CLAMP HALF ON YOUR ROLL CAGE TO HELP FIND A SUITABLE MOUNTING LOCATION. VERTICAL ADJUSTMENT IS ACHIEVED BY MOUNTING IT HIGHER OR LOWER ON THE ROLL CAGE AND MOUNT ARM ROTATION IS ACHIEVED BY USING DIFFERENT PIN HOLE POSITIONS. FIND A SUITABLE POSITION FOR YOUR DATA COLLECTOR AND MARK THE POSITION ON THE CAGE. REMOVE FROM THE CAGE AND THEN TIGHTEN & TORQUE BOLT (A) TO (21FT-LBS).

**NOTE:** YOUR DATA COLLECTOR POLE CLAMP WILL MOUNT AROUND POST (D). YOU CAN ALSO ADJUST THIS POSITION BY ROTATING THE CLAMP AROUND THIS POST.

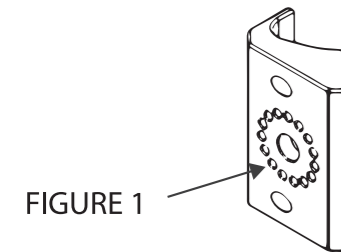


FIGURE 1

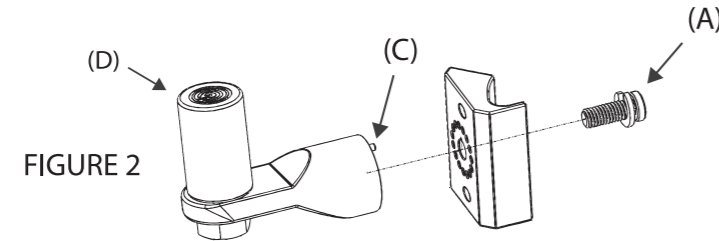


FIGURE 2

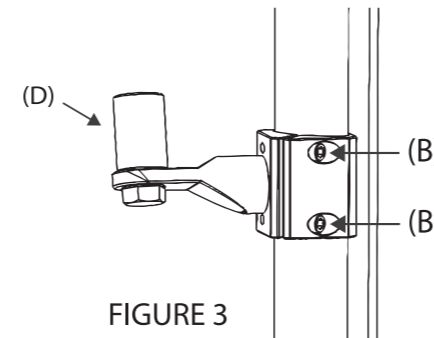
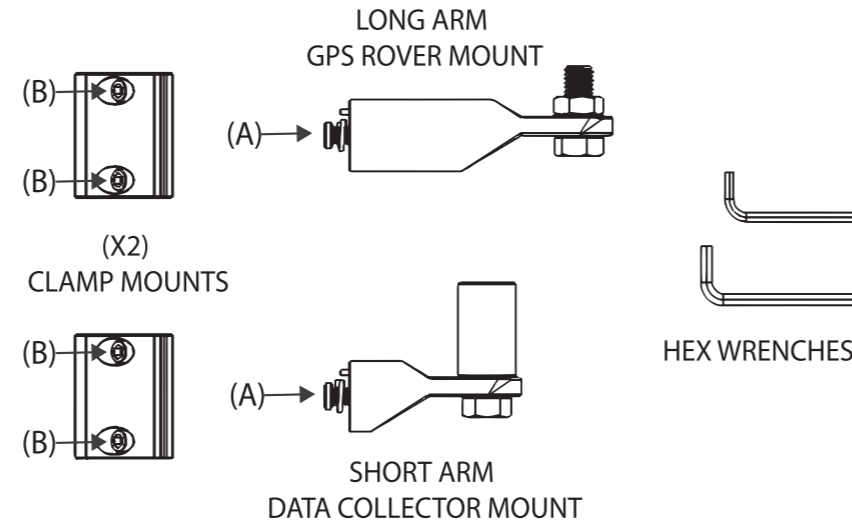


FIGURE 3

## STEP 4

PLACE THE CLAMP BACK ON THE CAGE WHERE YOU PLAN TO MOUNT IT AND INSTALL THE 2ND HALF OF THE CLAMP WITH ITS HARDWARE (B). ADJUST INTO FINAL POSITION TIGHTEN & TORQUE (12FT-LBS).

## STEP 5

ATTACH YOUR DATA COLLECTOR AND POLE CLAMP TO THE POST AND ADJUST TO YOUR PREFERENCE. ADJUST FOR PROPER CLEARANCE OF STEERING WHEEL.

## STEP 6 - INSTALLING THE GPS MOUNT

USING THE MULTIPLE PIN HOLE CAGE CLAMP (FIGURE 1), ALIGNING THE PIN (C) WITH THE HOLE THAT WILL BEST ALIGN THE GPS MOUNTING STUD (E) IN AS VERTICAL POSITION AS POSSIBLE TO THE GROUND (FIGURE 4). YOU CAN TEMPORARILY ASSEMBLE AND HOLD THE CLAMP HALF ON YOUR ROLL CAGE TO HELP FIND A SUITABLE MOUNTING LOCATION (FIGURE 4). VERTICAL ADJUSTMENT IS ACHIEVED BY MOUNTING HIGHER OR LOWER ON THE ROLL CAGE AND MOUNT ARM ROTATION IS ACHIEVED BY USING DIFFERENT PIN HOLE POSITIONS. FIND A SUITABLE POSITION FOR YOUR GPS AND MARK THE POSITION ON THE CAGE. REMOVE FROM THE CAGE AND THEN TIGHTEN & TORQUE BOLT (A) TO (21FT-LBS).

## STEP 7

PLACE THE CLAMP BACK ON THE CAGE WHERE YOU PLANNED TO MOUNT IT AND INSTALL THE 2ND HALF OF THE CLAMP WITH ITS HARDWARE (B). ADJUST INTO FINAL POSITION TIGHTEN & TORQUE (12FT-LBS).

## STEP 8

UTILIZE YOUR MANUFACTURERS QUICK RELEASE OR THREAD YOUR GPS TO THE STUD BOLT (E) SECURELY.

**INSTALLATION IS NOW COMPLETE**

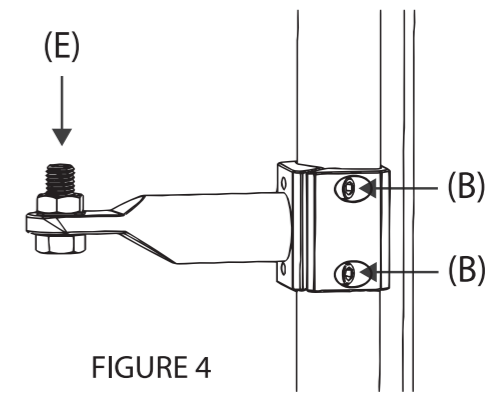


FIGURE 4



DATA COLLECTOR MOUNT



GPS MOUNT